

Bike Trac

Installation Guide



DISCOVER MORE

For more Saris
Infrastructure products,
scan the QR code or visit
[sarisinfrastructure.com](https://www.sarisinfrastructure.com)



Tell Us What You Think!



**[Sarisinfrastructure.com/
products/bike-trac](https://www.sarisinfrastructure.com/products/bike-trac)**

Submit Your Installation Photos!

Nothing makes us happier than seeing our
infrastructure products out in the wild!

Submit your photos at the link below.

www.sarisinfrastructure.com/contact/submit-photos



Thanks for purchasing a Bike Trac!

Congratulations on choosing a world-class vertical bicycle parking system!

The Bike Trac is a simple, space-saving solution to bike storage in any indoor space.

With full-length trays, the Bike Trac protects your walls while also allowing freedom for capacity and mounting configuration. The wide wheel track accepts tire sizes ranging from narrow road wheels all the way up to 5" wide fat tires, making it the perfect solution for mounting bikes in any small spaces.

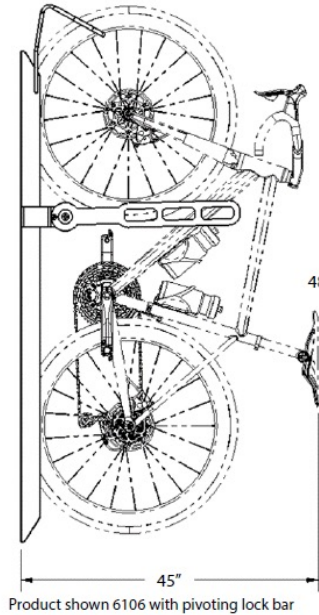
Please be sure to read and understand the following instructions before beginning your installation.

Everyone here at Saris Infrastructure wants you to be happy with this product.

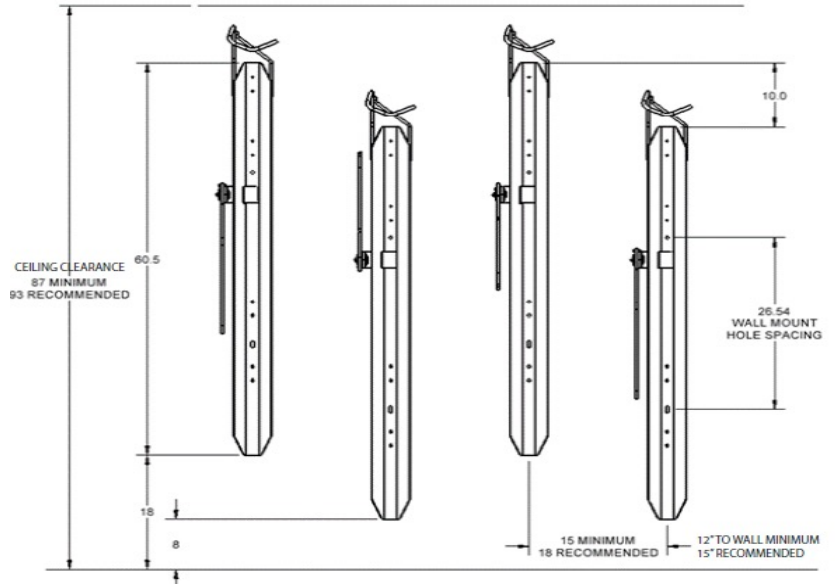
Please contact us at sales@sarisinfrastructure.com or 800-783-7257 should you need anything.



Recommended Aisle Spacing and Setbacks



48" recommended aisle spacing



Mounting Your Bike Trac

The Bike Trac can be mounted to any wall, corner, pillar, or post strong enough to hold the bikes.

Mounting hardware is not supplied. Before mounting to any surface, consult your local hardware store for applicable hardware. Mounting of the Bike Trac to a solid surface is critical and beyond the control of the manufacturer.



WARRANTY

WARNING: Manufacturer and seller expressly disclaim any and all liability for personal injury, property damage or loss, whether direct, indirect, or incidental, resulting from the incorrect attachment or inappropriate placement, improper use, inadequate maintenance, or neglect of this product. Placement of this product is beyond control of the manufacturer. It is the end users responsibility to place this product so as to avoid potential pedestrian or playground accidents.

WARRANTY: We warrant this product to the first consumer to be free from defect in material and workmanship for a period of one year from date of purchase. Please retain your sales slip for your records. Any product or part thereof found to be defective within that period will be replaced without charge provided that: (1) the product was not misused; (2) no alterations or modifications were made; (3) its failure resulted from a defect in material or workmanship and not from normal wear expected in the use of the product; (4) the product or part is delivered, freight prepaid, to Saris Products. Manufacturer's only obligation shall be to replace such products or parts proved to be defective.

Saris Infrastructure 5253 Verona Road Madison, WI 53711 (800)783-7257 www.sarisinfrastructure.com

